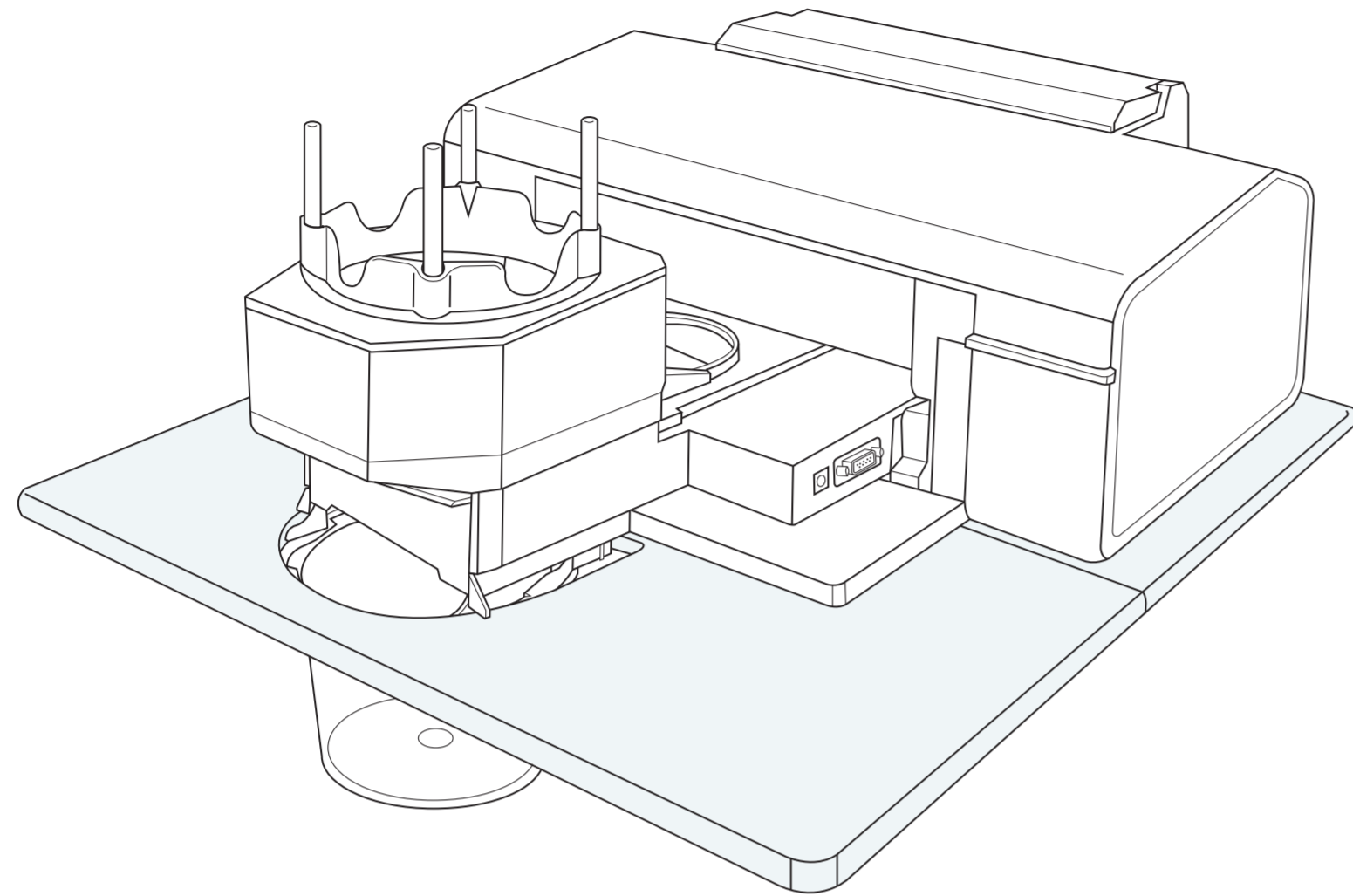


PANDORA . . . AUTO-PRINTER



. . . Package Contents . . .

A Robotic Disc Loader

B Power Adapter

C Device Plate (2 pcs) / Metal Bar (2 pcs)
/ Screws (8 pcs) / non-slip material (4 pcs)

D Serial to USB Data Cable

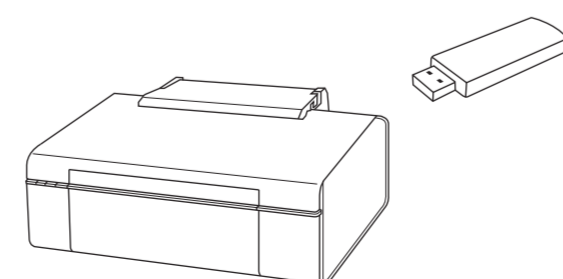
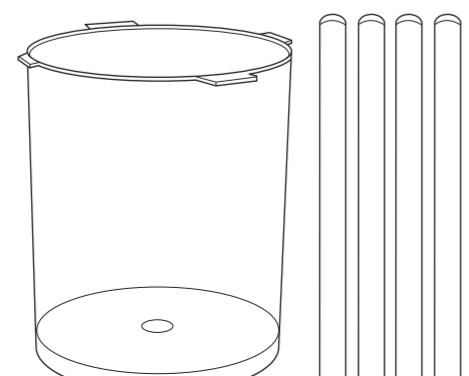
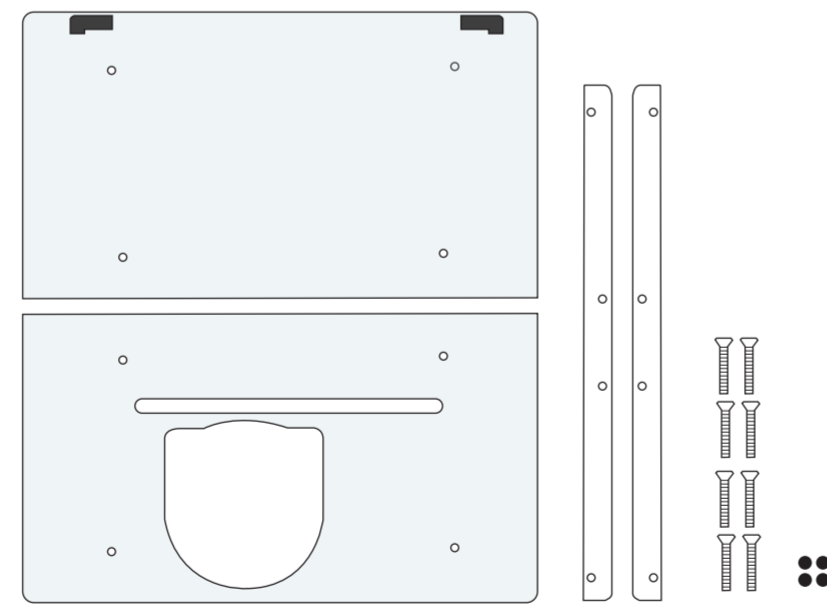
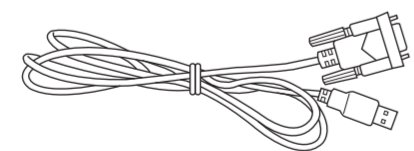
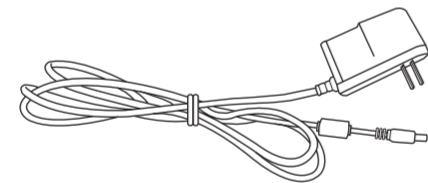
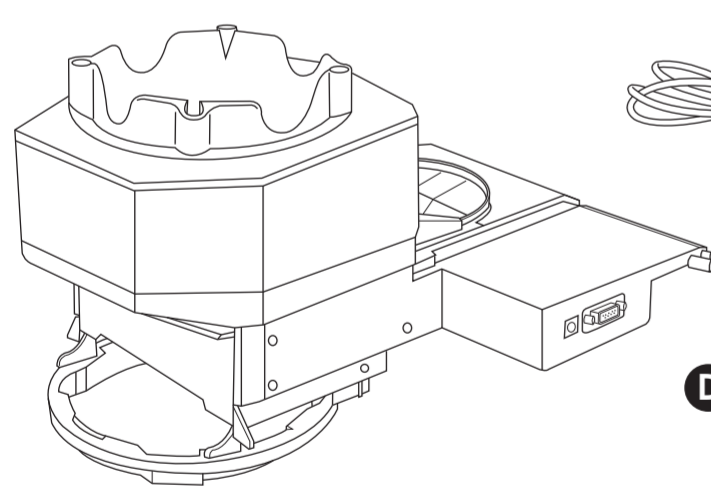
E Spindle (For Media Insertion / Remove During Use)

G Disc Bin (100 Discs Capacity) / 1 pc
Disc Bar (100 Discs Capacity) / 4 pcs
(Optional)

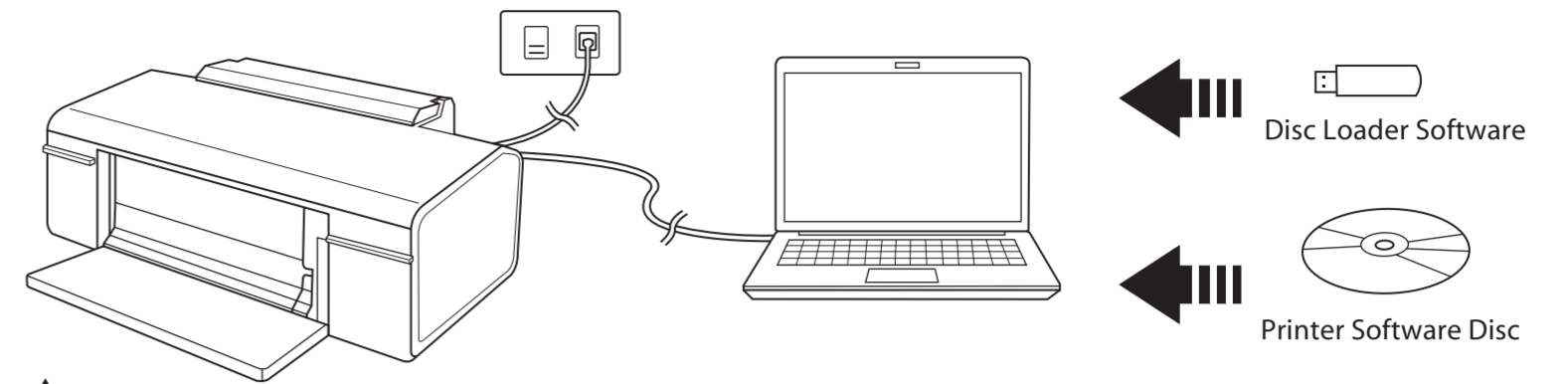
H License Dongle (Include disc loader software)

F Disc Bin (50 Discs Capacity) / 1 pc
Disc Bar (50 Discs Capacity) / 4 pcs

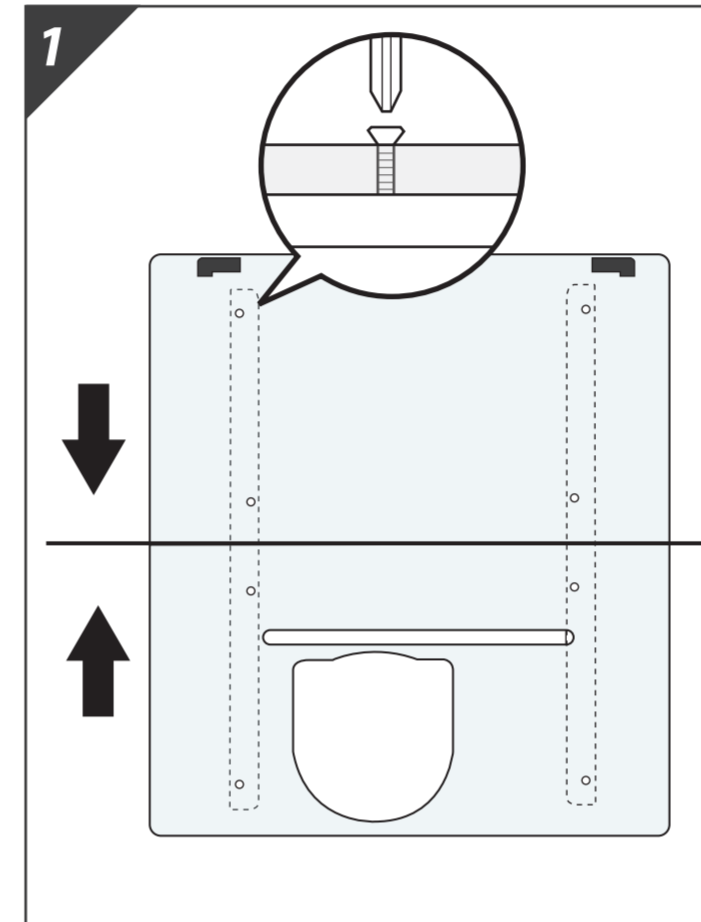
I Disc Printer (Optional, separate package)



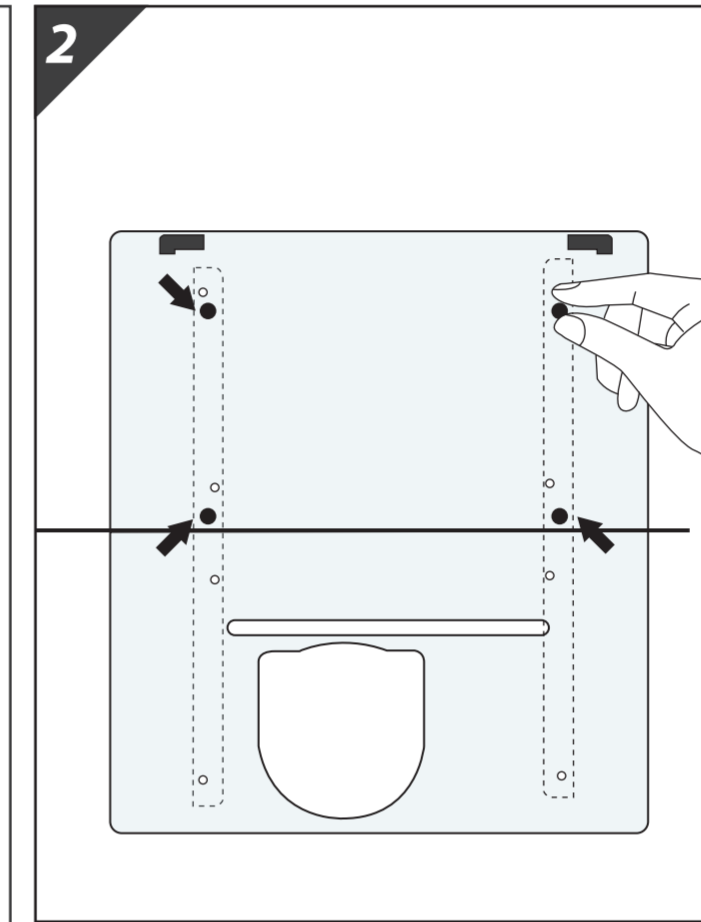
. . . Installation . . .



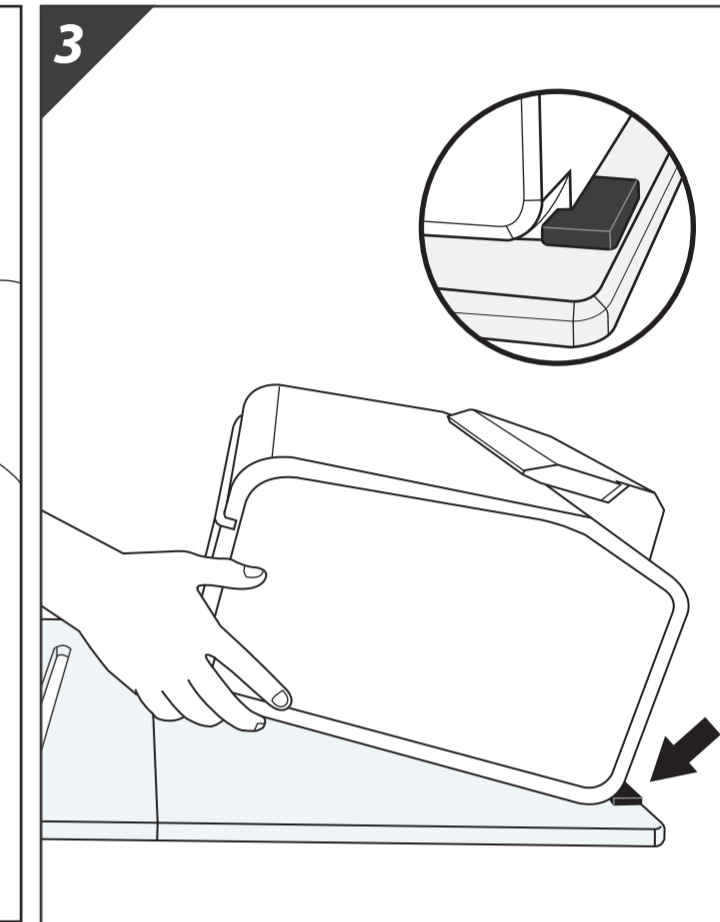
Printer and Disc Loader software must be installed before proceeding.



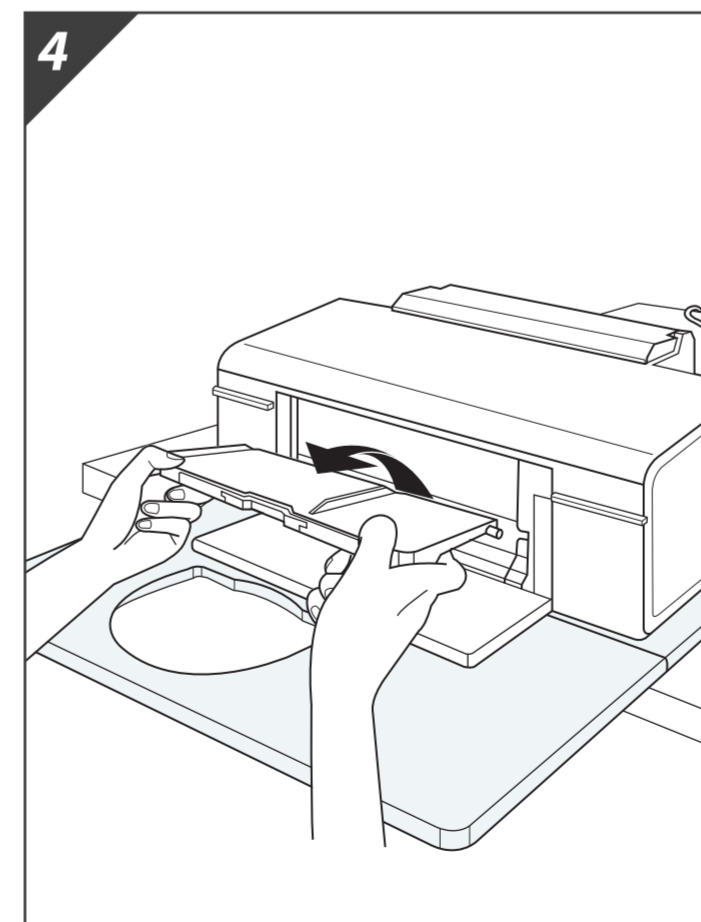
1. Screw the metal bars to the Device Plate from the bottom side.



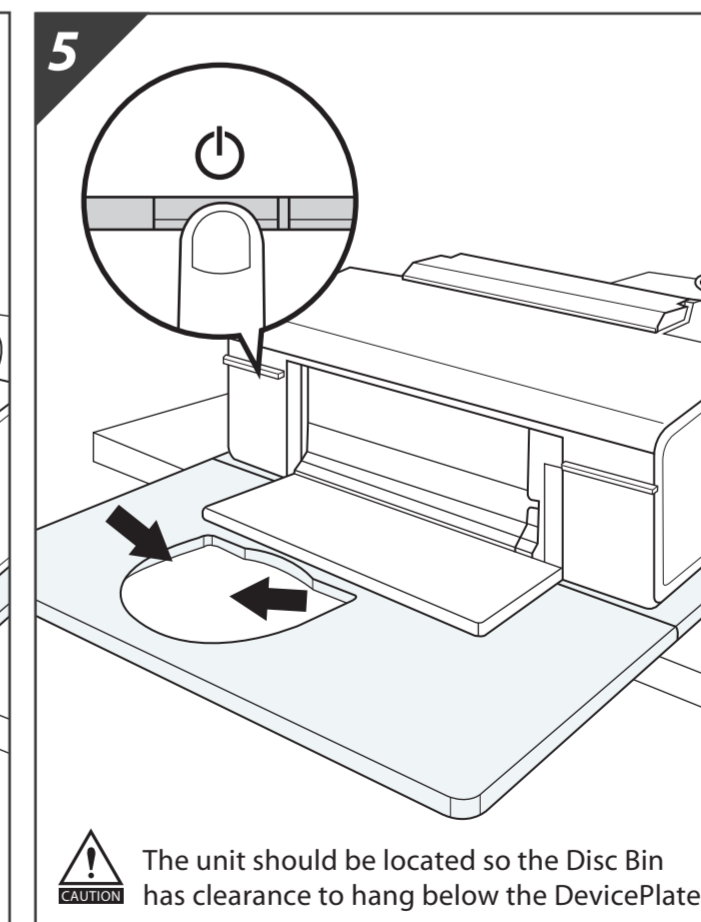
2. Place the non-slip material in the designated locations on the metal bars..



3. Place the printer on the Device Plate and press securely against the rubber feet. (There should be no gap)



4. Lift the printer's front tray up with both hands, then pull it out of the paper position. Completely remove the tray from the printer. Please set the tray aside for later use.

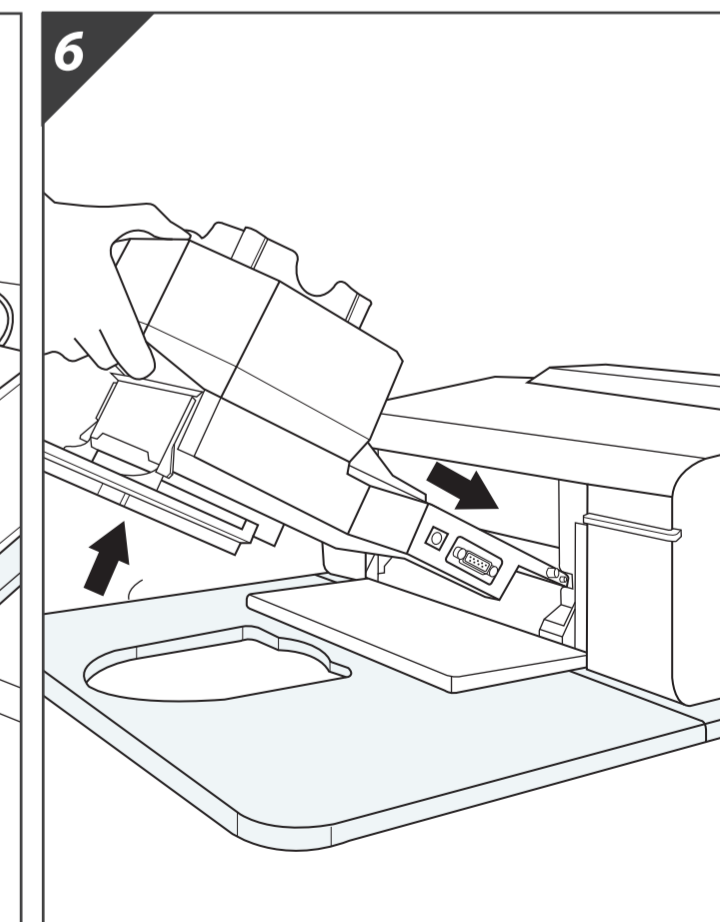


CAUTION The unit should be located so the Disc Bin has clearance to hang below the DevicePlate.

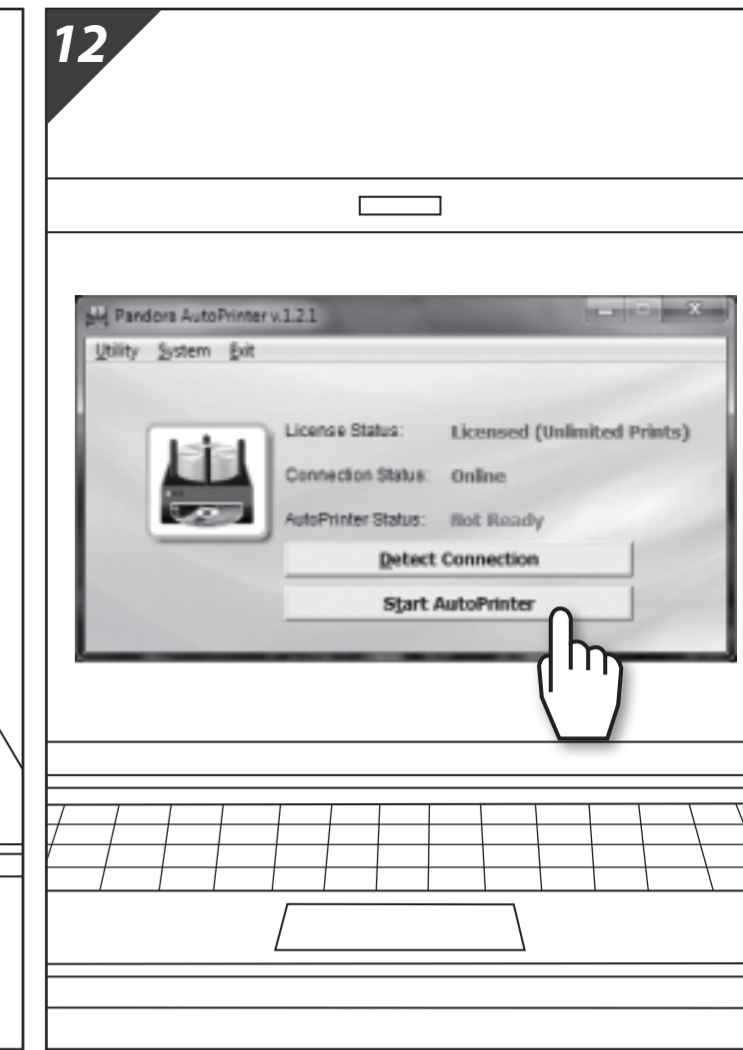
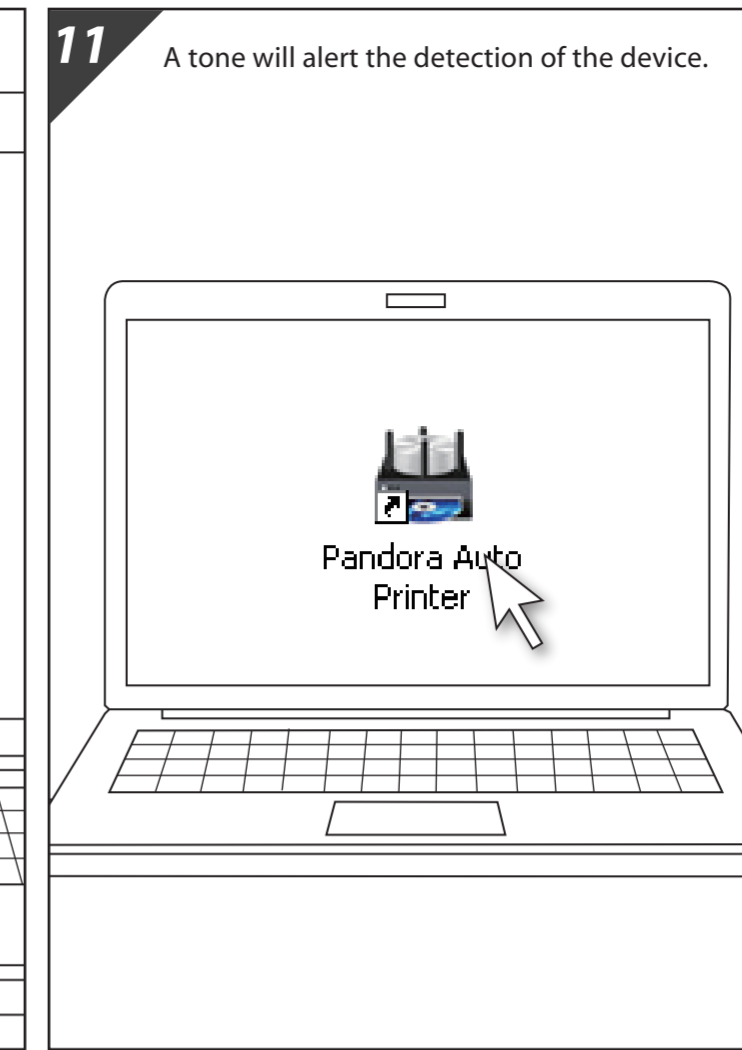
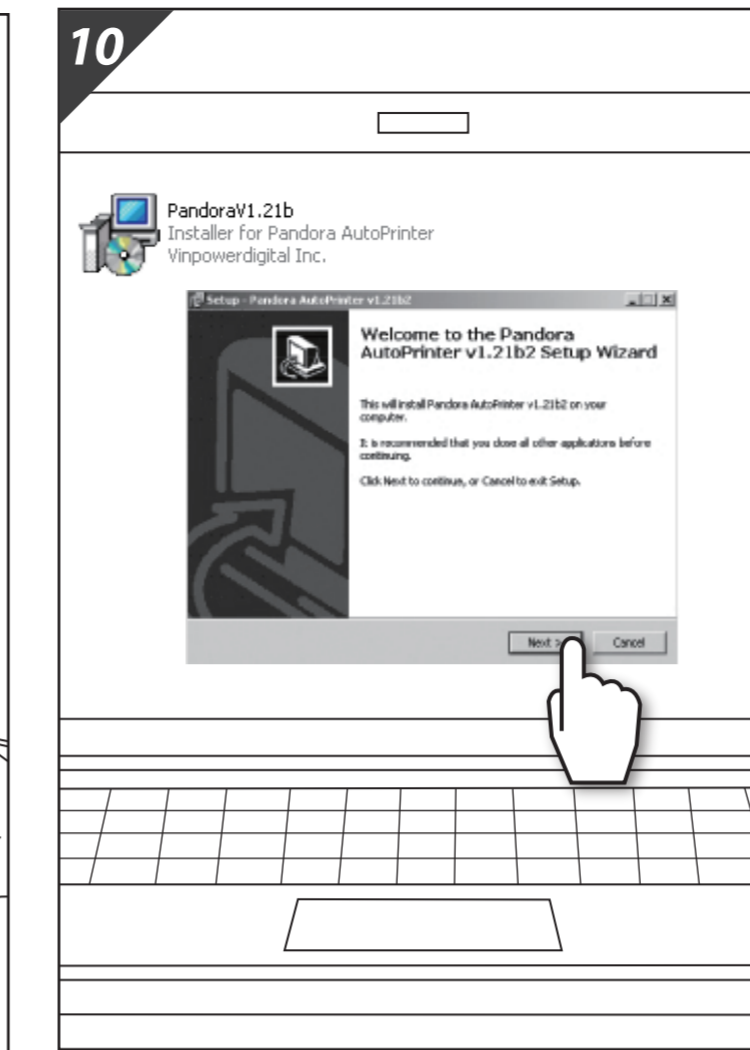
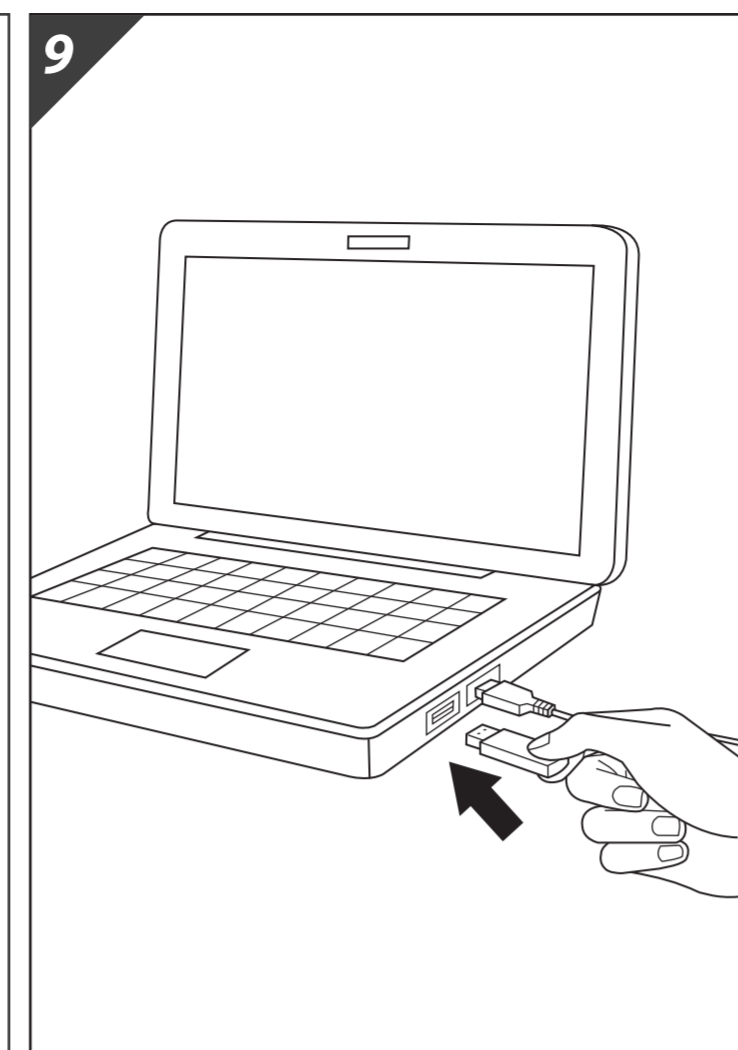
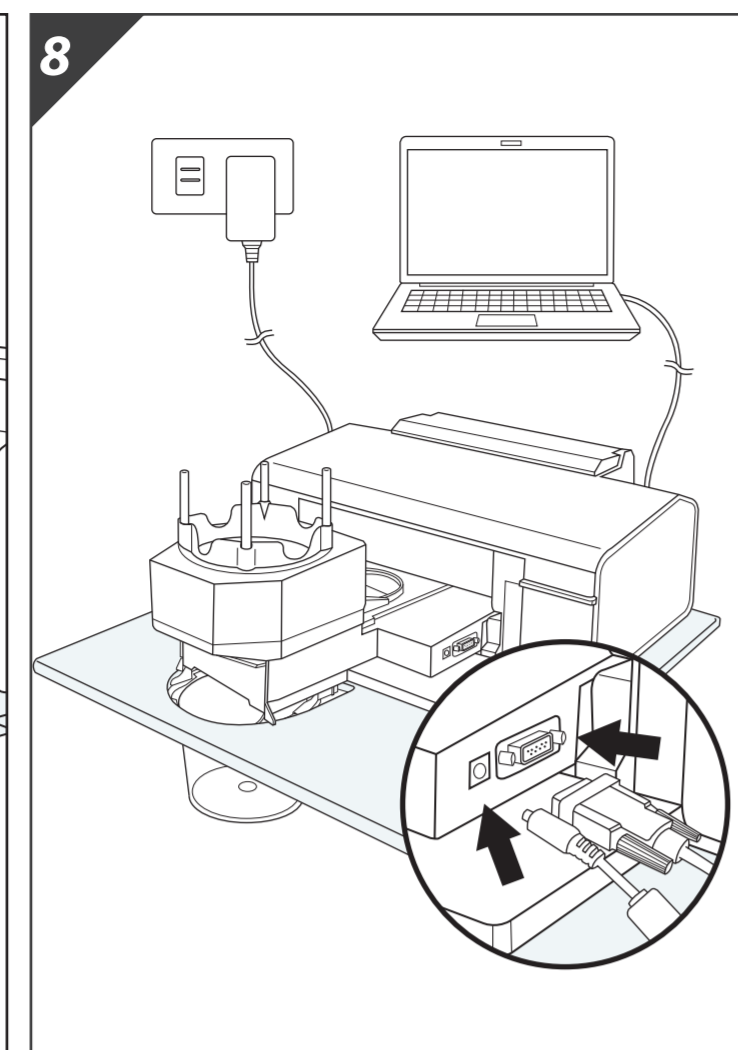
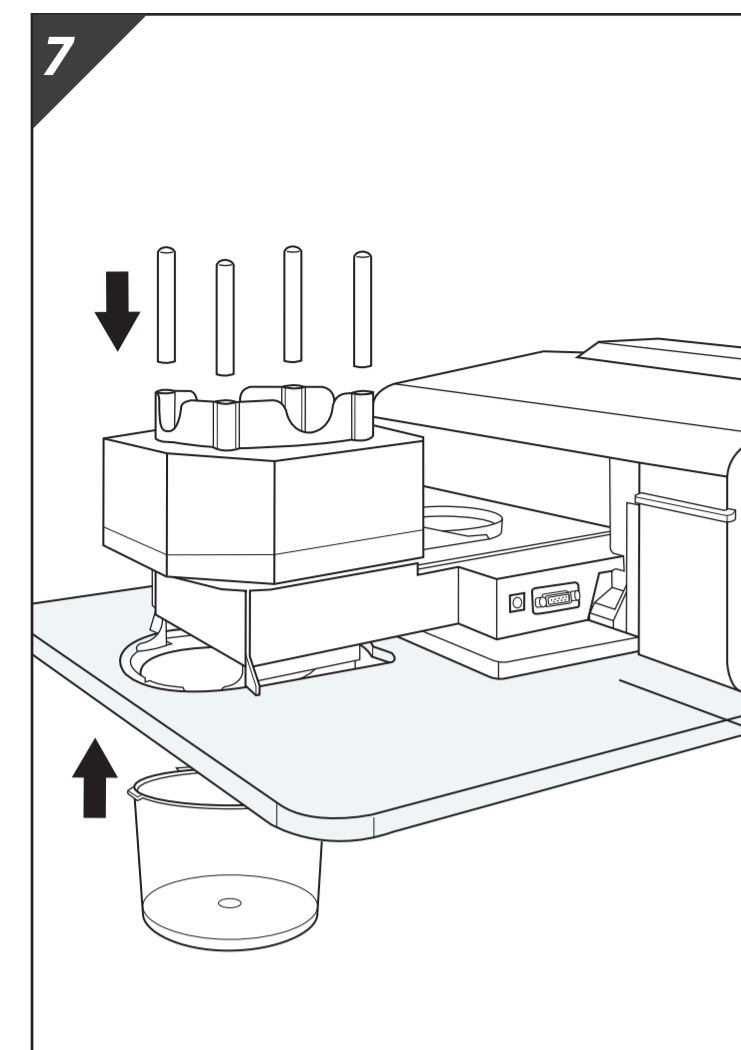
5. Turn on the printer. It should initialize and the power light should turn green. This means the printer is setup correctly.



Remove the Disc Loader each time the printer is turned off.



6. Place the Robotic Disc Loader into the printer. Ensure that the edges of the loader are lined up with the slots in the printer.



7. Insert the Disc Bars into the Robotic Disc Loader and the Disc Bin into the Device Plate.

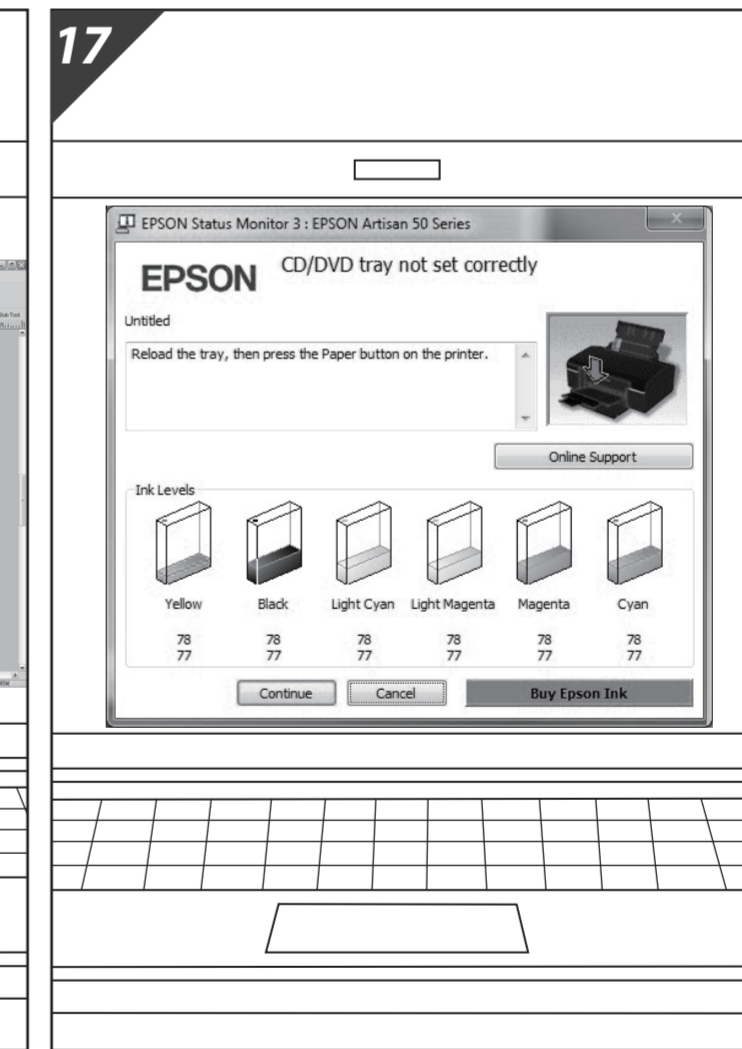
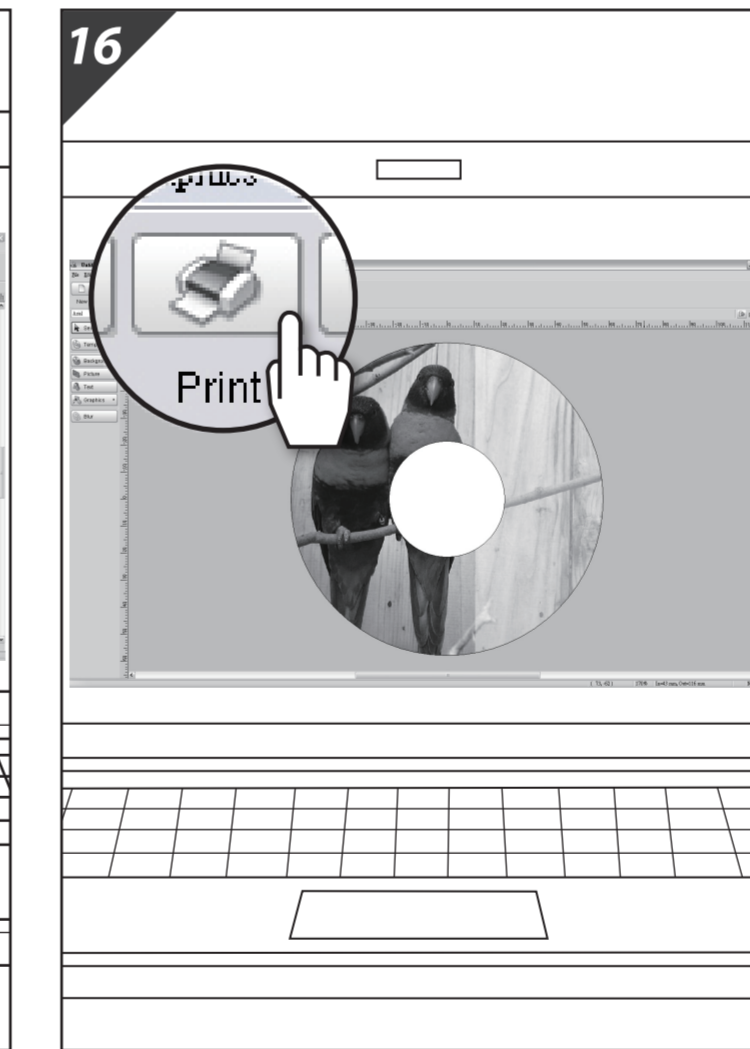
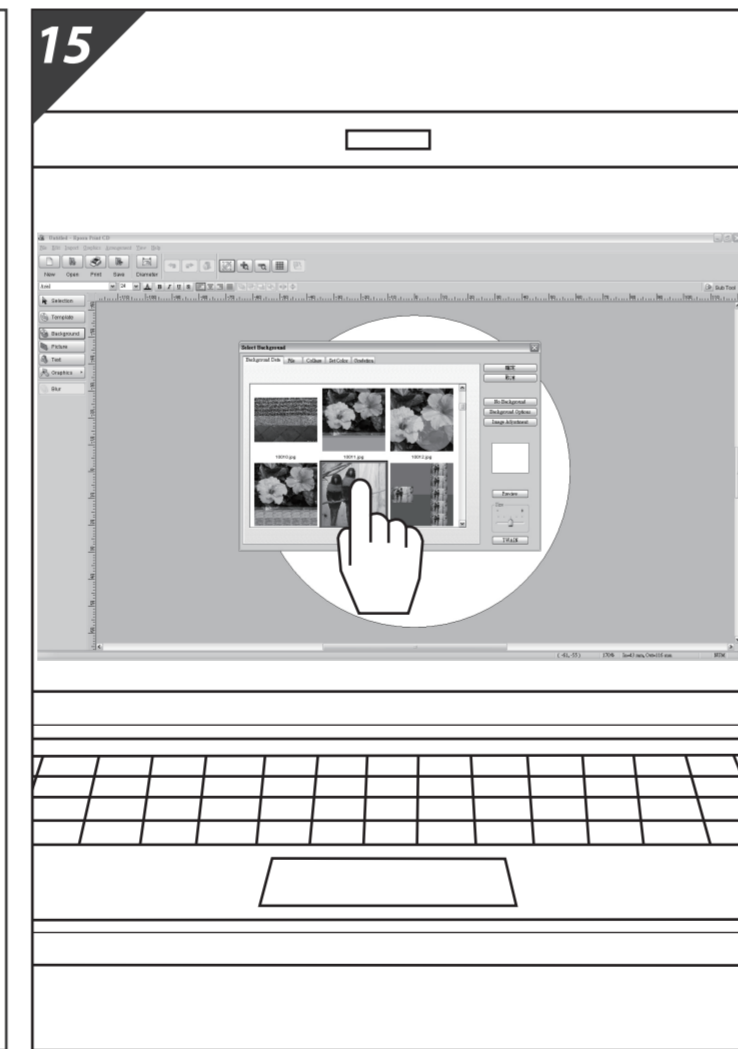
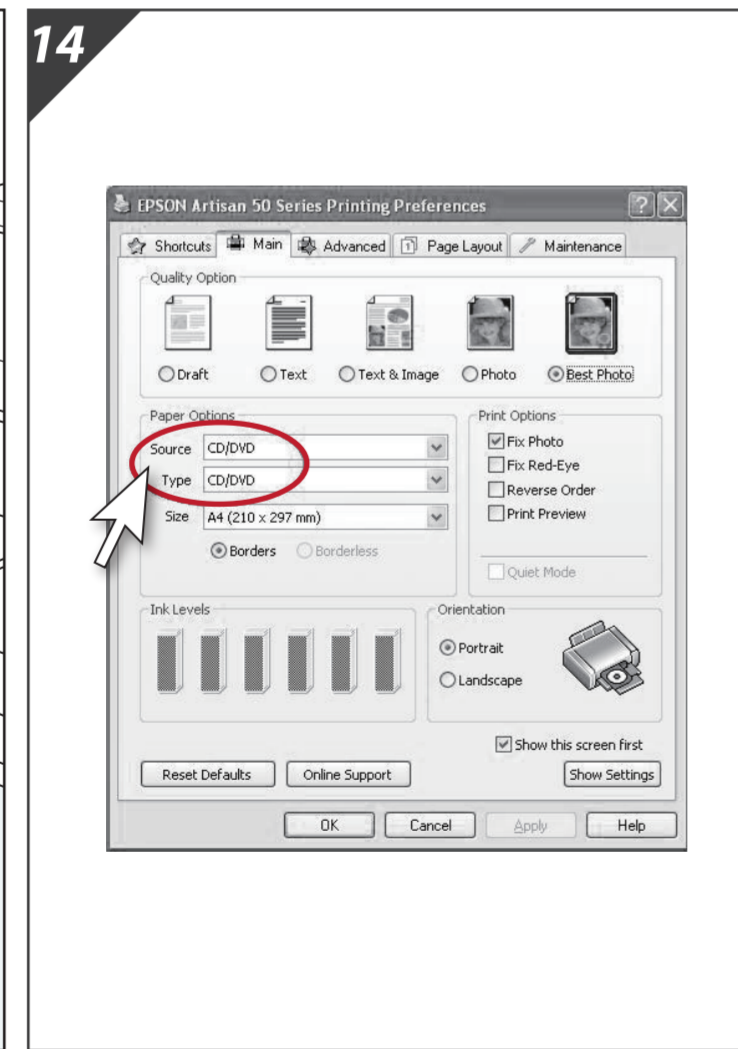
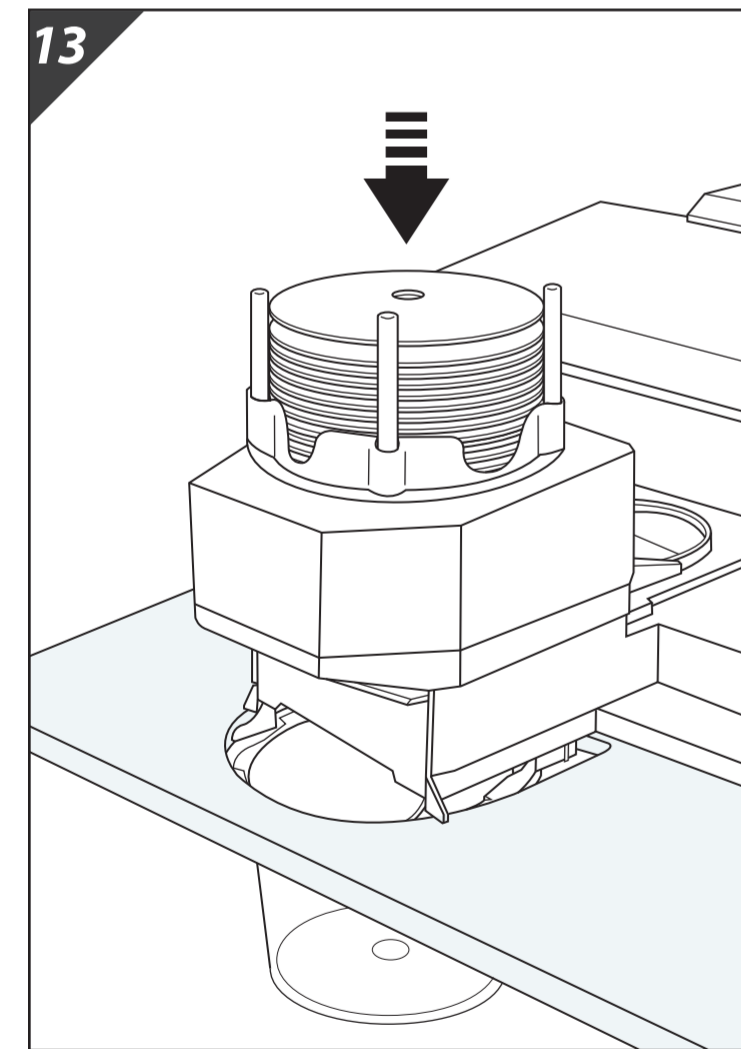
8. Plug the power adapter into the Robotic Disc Loader. Then plug the serial to USB Data Cable in between the computer and the Robotic Disc Loader.

9. Insert the License Dongle into PC. Dongle is required during operation.

10. Execute the Installation File on the License Dongle. Restart the PC after the installation is complete.

11. **Double-Click** the Pandora Shortcut on the Desktop

12. **Click** the **Start AutoPrinter** button to activate the Robotic Disc Loader.



13. Load Inkjet Printable Media into the Robotic Disc Loader.

14. Verify that the "Paper Option" is set to DVD by clicking on Start > Device and Printers (or Printers and Faxes) and then right-clicking on the the Epson printer, and selecting Printing Preferences Check the "Paper Option" on the "Main" tab and verify that CD/DVD is selected for both the "Source" and the "Type" fields.

15. Design the Disc Label using the Epson "Print CD" or any other label design software.

16. Print the Disc Label by selecting the installed Epson printer.

CAUTION Please ignore the message: "CD/DVD not set correctly", the Disc Loader will start loading soon.